

15. CR Back to back

50/60 Hz

CR, CRI, CRN 1, 3, 5

O-ring

Pos.	Description/ kit No	FFKM	FXM
		96533328	96463944
37a	O-ring	2	2
38	O-ring	1	1
100	O-ring	2	2
109a	O-ring	1	1

Sealing

Pos.	Description	Kit No	96533360	96533361
37a	O-ring	EPDM	2	-
		FKM	-	2
37b	O-ring	EPDM	1	-
		FKM	-	1
38	O-ring	EPDM	1	-
		FKM	-	1
100	O-ring	EPDM	2	-
		FKM	-	2
100a	O-ring	EPDM	4	-
		FKM	-	4
105b	Shaft seal	AQQE	1	-
		AQQV	-	1
		EPDM	1	-
109a	O-ring	EPDM	-	1
		FKM	-	1
112a	Driver		1	1
113	Set screw		2	2
146	Hexagon socket head screw		3	3

Shaft seal

Type	Kit No
HUBK	96533322
HUBF	96533323
HUUK	96533324
HUUF	96533325
HQQK	96533326
HQQF	96533327
HQBK	96491375

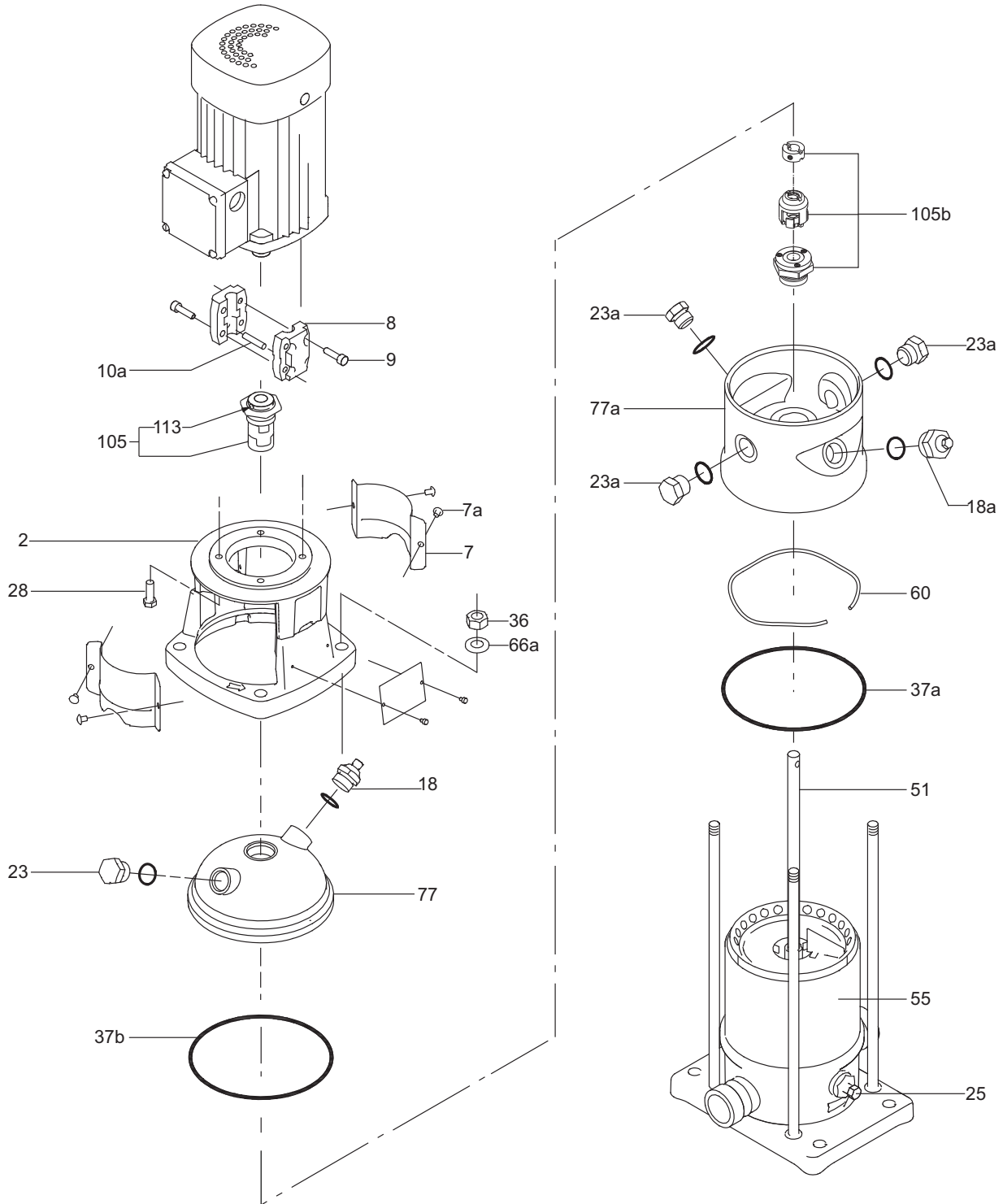
Content

Pos.	Description	Quantity
105	Shaft seal	1

Shaft seal

Pos.	Description	OQQV 96989183
	Kit No	
105b	Shaft seal	1
112a	Driver	1
113	Set screw	2

CR, CRI, CRN 1, 3, 5, back to back



CR, CRI, CRN 1, 3, 5 CR Back to back

TM03 0913 0805

CR, CRI, CRN 10, 15, 20

O-ring

Pos.	Description Kit No	FFKM	FXM
		96533374	96534871
37a	O-ring	2	2
38	O-ring	1	1
38a	O-ring	1	1
100	O-ring	2	2

O-ring, EPDM

Pos.	Description	Kit No	96525433
37a	O-ring	EPDM	2
37b	O-ring	EPDM	1
38	O-ring	EPDM	1
38a	O-ring	EPDM	1
39	Gasket	oval flange CR 10	2
		FGJ flange CR 10	2
		FGJ flange CR 15, 20	2
60	Rubber spring	EPDM	4
100	O-ring	EPDM	2
100a	O-ring	EPDM	2
100b	O-ring	EPDM	2

O-ring, FKM

Pos.	Description	Kit No	96525434
37a	O-ring	FKM	2
37b	O-ring	FKM	1
38	O-ring	FKM	1
38a	O-ring	FKM	1
39	Gasket	oval flange CR 10	2
		FGJ flange CR 10	2
		FGJ flange CR 15, 20	2
60	Rubber spring	FKM	4
100	O-ring	FKM	2
100a	O-ring	FXM	2
100b	O-ring	FKM	2

O-ring, FFKM/EPDM

Pos.	Description	Kit No	96525435
37a	O-ring	FFKM	2
37b	O-ring	EPDM	1
38	O-ring	FFKM	1
38a	O-ring	FFKM	1
39	Gasket	oval flange CR 10	2
		FGJ flange CR 10	2
		FGJ flange CR 15, 20	2
60	Rubber spring	PTFE	4
100	O-ring	EPDM	1
100a	O-ring	FFKM	2
100b	O-ring	EPDM	2

O-ring, FFKM/FKM

Pos.	Description	Kit No	96525435
37a	O-ring	FFKM	2
37b	O-ring	FKM	1
38	O-ring	FFKM	1
38a	O-ring	FFKM	1
39	Gasket	oval flange CR 10	2
		FGJ flange CR 10	2
		FGJ flange CR 15, 20	2
60	Rubber spring	PTFE	4
100	O-ring	FKM	1
100a	O-ring	FFKM	2
100b	O-ring	FKM	2

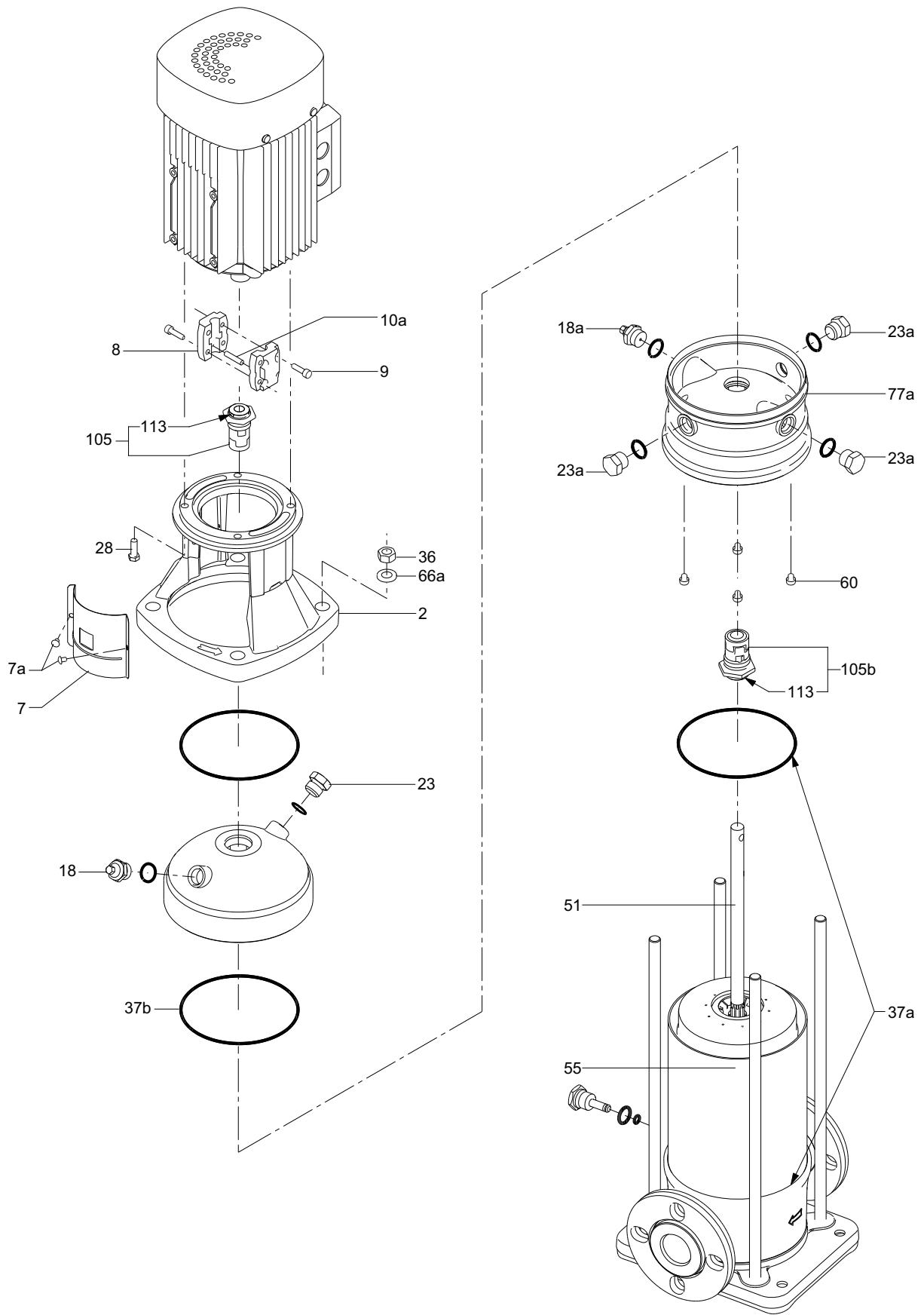
Shaft seal

Type	Kit No
HQQE	96511844
HQQV	96511845
HQQK	96511846
HQQF	96511847
HUBK	96511838
HUUV	96511841
HUUK	96511842
HUUF	96511843

Content

Pos.	Description	Quantity
105	Shaft seal	1
-	Adjusting fork	1

CR, CRI, CRN 10, 15, 20, back to back



CR, CRI, CRN 10, 15, 20 CR Back to back

TM02 7821 1613

CR, CRI, CRN 32, 45, 64, 90**Connecting pipe**

Pos.	Description	Rubber	EPDM/FKM	FXM
		Kit No	96578685	96578686
109a, 109b	O-ring	FXM	-	2
		EPDM	2	-
		FKM	2	-
149	Connecting pipe		1	1

Shaft seal, CR(N) 32

Pos	Kit No Description	Rubber	96578679	96578680
			AUUE	AUUV
37b	O-ring	EPDM	2	-
		FKM	-	2
105b	Shaft seal		1	1
106	Nut		1	1
107	Washer		1	1
-	Grinding device		1	1

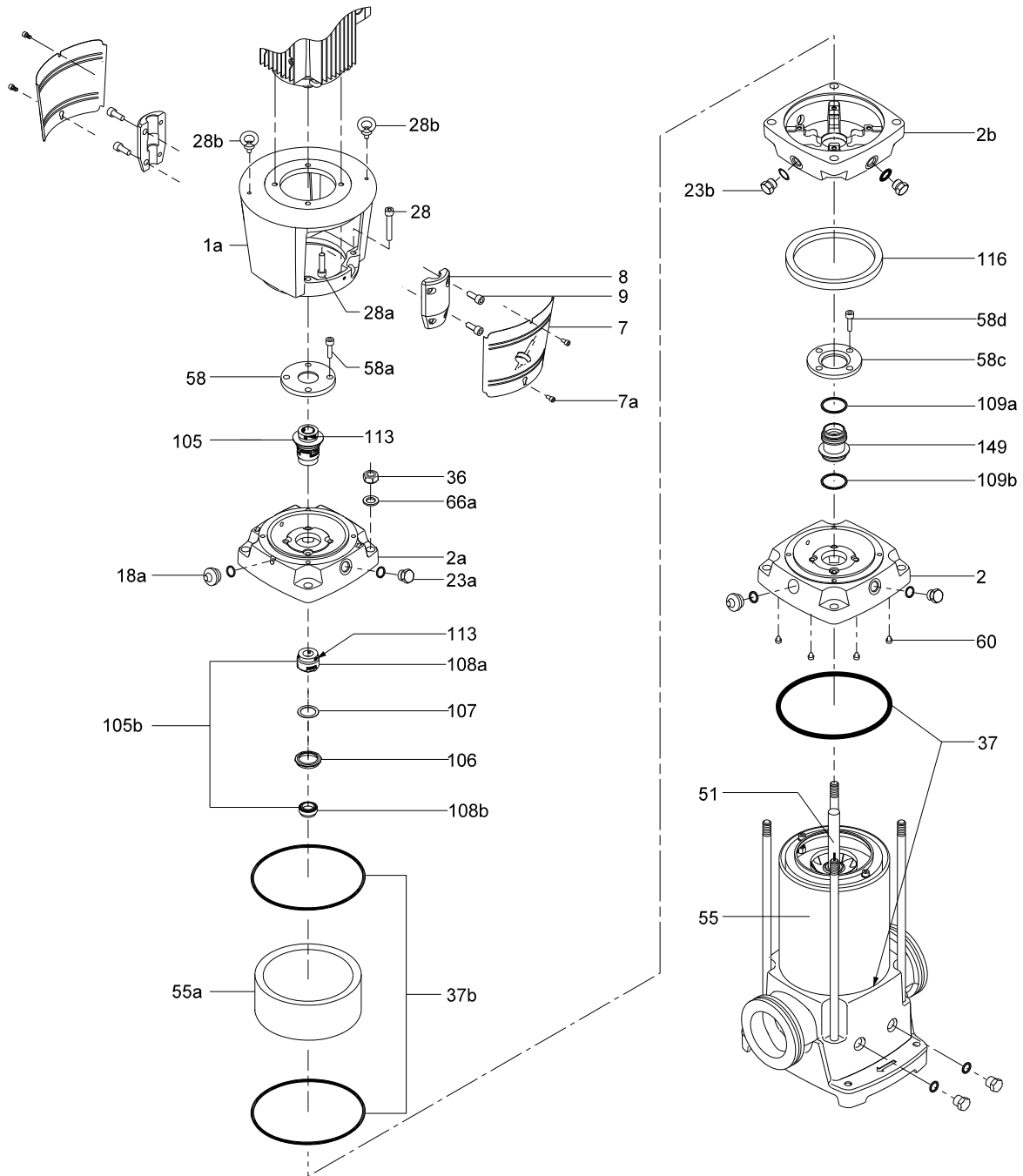
Shaft seal, CR(N) 45/64

Pos	Kit No Description	Rubber	96578681	96578682
			AUUE	AUUV
37b	O-ring	EPDM	2	-
		FKM	-	2
105b	Shaft seal		1	1
106	Nut		1	1
107	Washer		1	1
-	Grinding device		1	1

Shaft seal, CR(N) 90

Pos	Kit No Description	Rubber	96578683	96578684
			AUUE	AUUV
37b	O-ring	EPDM	2	-
		FKM	-	2
105b	Shaft seal		1	1
106	Nut		1	1
107	Washer		1	1
-	Grinding device		1	1

CR, CRI, CRN 32, 45, 64, 90, back to back



CR, CRI, CRN 32, 45, 64, 90 CR Back to back

TM03 3097 2513

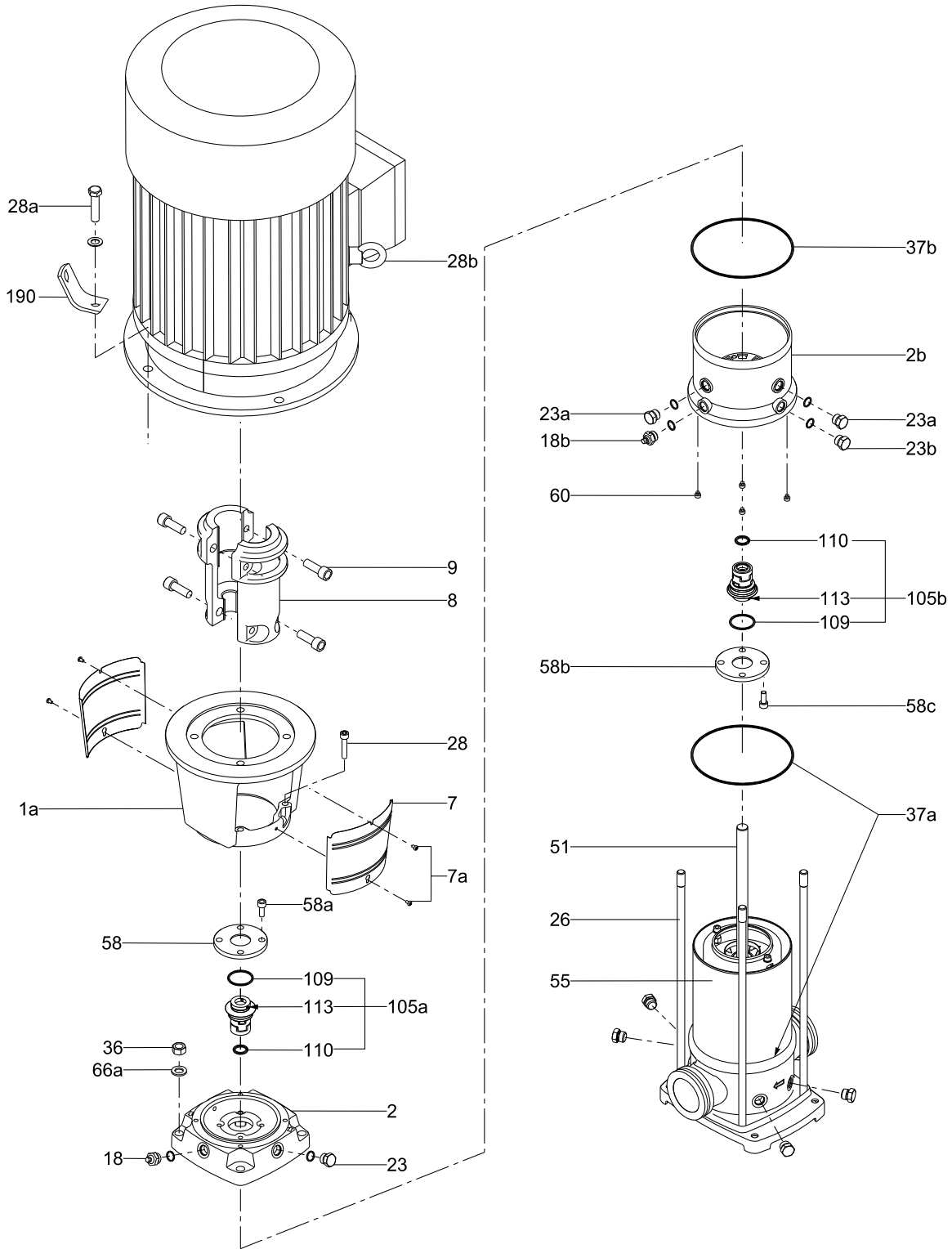
CR, CRI, CRN 32, 45, 64, 90, model B**O-ring, CR(N) 32**

Pos	Kit No		98593542	98593544	98593547	98593549	98593562	98593563	98593564	98593565
Description	Rubber		EPDM	FKM	FXM	FFKM	FXM/EPDM	FXM/FKM	FFKM/EPDM	FFKM/FKM
O-ring	EPDM		2				2		2	
	FKM			2				2		2
	FXM				2					
	FFKM					2				
O-ring	EPDM		1				1		1	
	FKM			1				1		1
	FXM				1	1				
O-ring	EPDM		2				2		2	
	FKM			2				2		2
	FXM				2					
	FFKM					2				
O-ring	EPDM		2							
	FKM			2						
	FXM				2		2	2		
	FFKM					2			2	2
O-ring	EPDM		2							
	FKM			2				2		
	FXM				2	2	2		2	2
	FFKM									
O-ring	EPDM		4							
	FKM			4						
	FXM				4		4	4		
	FFKM					4			4	4
Spring	PTFE		4	4	4	4	4	4	4	
Adjusting fork			2	2	2	2	2	2	2	

O-ring, CR(N) 45, 64

Pos	Kit No		98593566	98593568	98593592	98593593	98593594	98593598	98593603	98593608
Description	Rubber		EPDM	FKM	FXM	FFKM	FXM/EPDM	FXM/FKM	FFKM/EPDM	FFKM/FKM
O-ring	EPDM		2				2		2	
	FKM			2				2		2
	FXM				2					
	FFKM					2				
O-ring	EPDM		1				1		1	
	FKM			1				1		1
	FXM				1	1				
O-ring	EPDM		2				2		2	
	FKM			2				2		2
	FXM				2					
	FFKM					2				
O-ring	EPDM		2							
	FKM			2			2			
	FXM				2			2		
	FFKM					2			2	2
O-ring	EPDM		2							
	FKM			2						
	FXM				2	2	2	2	2	2
	FFKM									
O-ring	EPDM		4							
	FKM			4						
	FXM				4		4	4		
	FFKM					4			4	4
Spring	PTFE		4	4	4	4	4	4	4	
Adjusting fork			2	2	2	2	1	1	1	

CR, CRI, CRN 32, 45, 64, 90, model B



CR, CRI, CRN 32, 45, 64, 90, model B CR Back to back

TM05 9666 4313

O-ring, CR(N) 90

Pos	Kit No	Rubber	98593611	98593612	98593615	98593616	98593618	98593620	98593622	98593624
Description			EPDM	FKM	FXM	FFKM	FXM/EPDM	FXM/FKM	FFKM/EPDM	FFKM/FKM
O-ring		EPDM	2				2		2	
		FKM		2				2		2
		FXM			2					
		FFKM				2				
O-ring		EPDM	1				1		1	
		FKM		1				1		1
		FXM			1	1				
O-ring		EPDM	2				2		2	
		FKM		2				2		2
		FXM			2					
		FFKM				2				
O-ring		EPDM	2							
		FKM		2						
		FXM			2		2	2		
		FFKM				2			2	2
O-ring		EPDM	2							
		FKM		2						
		FXM			2	2	2	2	2	2
		FFKM								
O-ring		EPDM	4							
		FKM		4						
		FXM			4		4	4		
		FFKM				4			4	4
Spring		PTFE	4	4	4	4	4	4	4	4
Adjusting fork			2	2	2	2	1	1	1	1

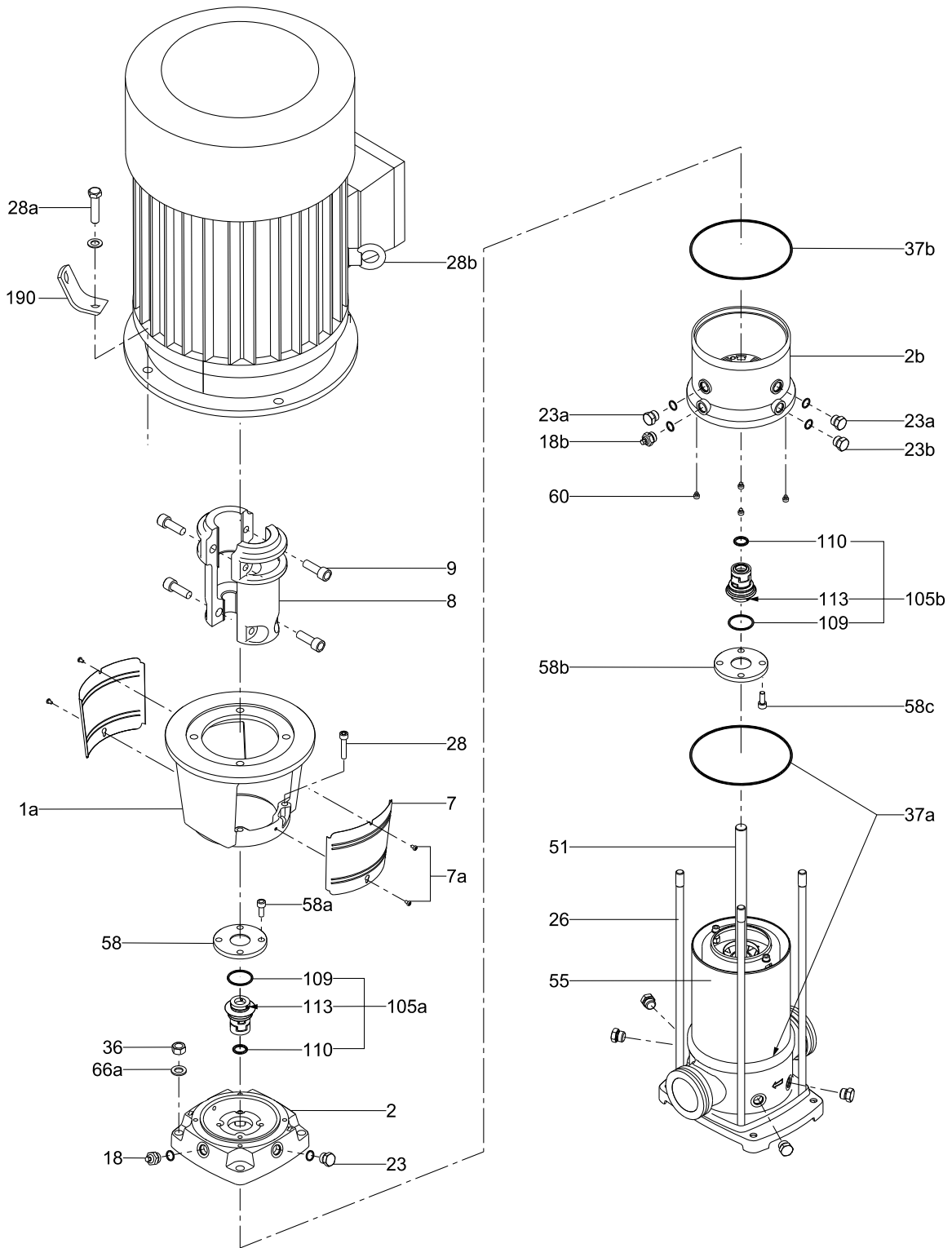
Plug

Pos	Description/ Kit No	98593644
	Plug	2
	Air vent screw	1
	Plug	1
	O-ring	4
	O-ring	4
	O-ring	4

Cover

Pos	Description/ Kit No	98593648
	Cover N	1
	Cap Screw	4

CR, CRI, CRN 32, 45, 64, 90, model B



CR, CRI, CRN 32, 45, 64, 90, model B CR Back to back

TM05 9666 4313