

18. CR MAGdrive

CR, CRI, CRN 1-90

50/60 Hz

Bearing, (before week 0744)

Pos.	Description	MAK66
	Kit No	96462604
253	Axial bearing, upper	1
255	Bearing (rotating)	1
258	Bearing complete (stationary)	1
259	Axial bearing, lower with seal driver	1

Bearing housing (from 0744)

Pos.	Description - Kit No	96748864
658	Bearing housing complete	1

Fitting kit for inner drive (from 0744)

Pos.	Description	CRN 1 - 20	CRN 32 - 90
	Kit No	96766787	96766785
651	Spacer	1	1
656	Washer set	1	1
657	Lock nut	1	1

Inner drive (from 0744)

The inner drive kit consists of one inner drive, complete (pos. 652) and one can (pos. 661).

Motor size [kW]	CRN 1, 3, 5	CRN 10, 15, 20	CRN 32, 45, 64, 90
0.37 - 1.5	96749023	96749028	
2.2 - 3.0	96749025	96749030	
4.0	96749026	96749042	
5.5	96749027	96749043	
7.5		96749044	
11 - 22		96749045	

O-ring for pump (before week 0744)

Pos.	Rubber type	EPDM	FKM	FFKM	FXM
	Description/Kit No	96533485	96533483	96533484	96463944
37	O-ring 137.5 x 3.3	2	2	2	2
38	O-ring				1
100	16.3 x 2.4	1	1	1	2
109	O-ring 78 x 3	1	1	1	-
-	O-ring 22 x 2.75				1

O-ring (from 0744)

Pos.	Description	EPDM + FKM	FXM	FFKM
		96748763	96748769	96748770
109	O-ring 77.8 x 1.5	2 + 2	2	2
653a	O-ring	1 + 1	1	1

Kit support washer (from 0744)

Pos.	Description	CRN 1s, 1, 3	CRN 5	CRN 10, 15, 20	CRN 32, 45, 64, 90
		98345811	98345790	97949632	98345812
660	Kit support washer	1	1	1	1

Outer drive (from 0744)

The outer drive kit consists of one outer drive (pos. 654) and two set screws (pos. 9).

Motor size [kW]	CRN 1, 3, 5	CRN 10, 15, 20	CRN 32, 45, 64, 90
0.37 - 0.55	96749047	96749065	-
0.75 - 1.1	96749048	96749066	-
1.5	96749049	96749067	96749072
2.2	96749051	96749068	96749074
3.0	96749062	96749069	96749075
4.0	96749063	96749070	96749076
5.5	96749064	96749071	96749077
7.5	-	96749078	96749083
11 - 15 - 18.5	-	96749080	96749084
22	-	-	96749086

Outer drive Nema motors

Motor size [Hp] / [Frame]	CRN 1, 3, 5	CRN 10, 15, 20	CRN 32, 45, 64, 90
0.5 - 2.0	98406709	98406734	-
3.0 / 56C	98406710	98406735	-
3.0 / 182TC	98406731	98406736	98406739
5.0	98406732	98406737	98406740
7.5	98406733	98406738	98406741
10.0	-	98558436	98558548
15.0 - 20.0	-	98558438	98558549
25.0 - 30.0	-	98558546	98558554

Radial bearing (from 0744)

Pos.	Description	1, 3, 5	10, 15, 20	32, 45, 64, 90
		96748870	97526492	97526493
655	Bearing ring	1	1	1

Spacer (from 0744)

Pos.	Description	CRN 1 to 20	
		CRN 32 to 90 to 1112	CRN 32 to 90 from 1111
		96750527	97855436
662	Spacer for bearing house, 1 mm	1	1
	Spacer for bearing house, 1.5 mm	1	1
	Spacer for bearing house, 2 mm	1	1

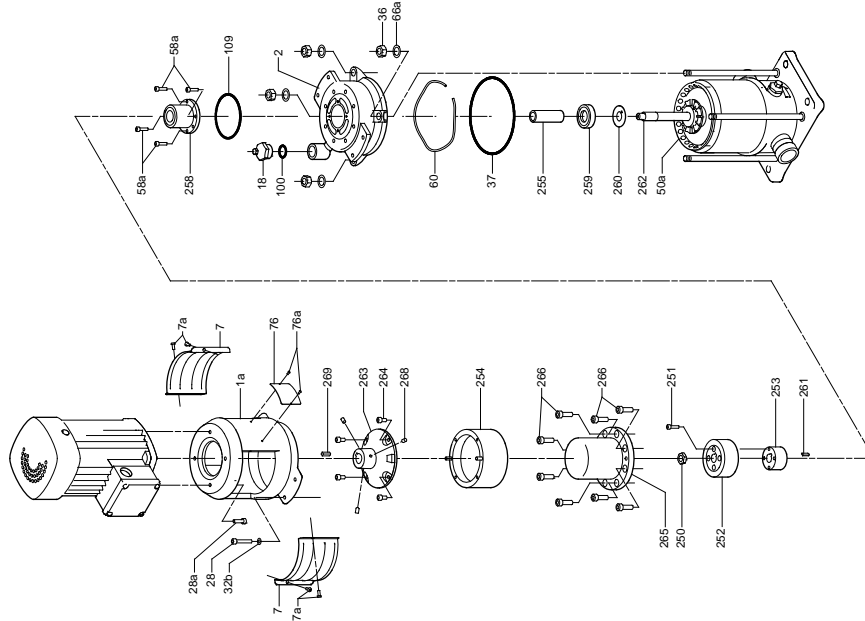
Thrust bearing (from 0744)

Pos.	Description	96748866
653	Thrust bearing, rotating, 3 holes cpl.	1
	Thrust bearing, rotating, 6 holes cpl.	-

Uphrust bearing (from 0744)

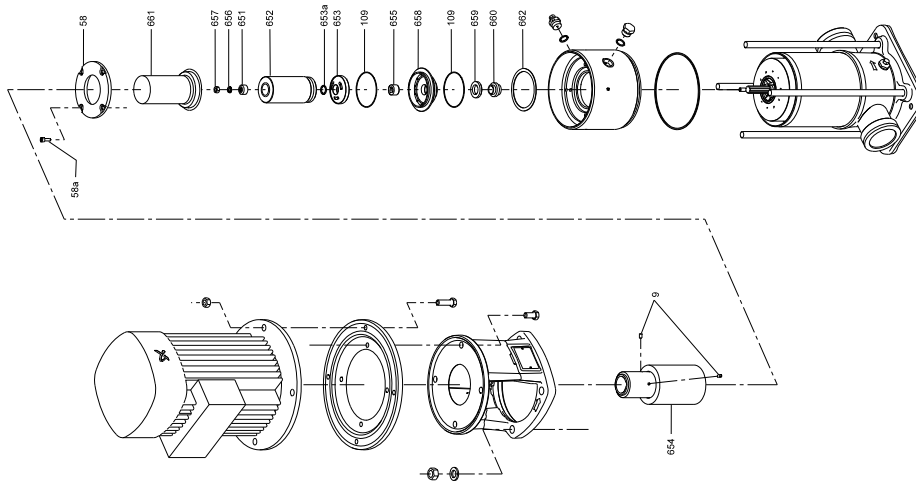
Pos.	Description	96748884
659	Uphrust bearing, outer part	1

CR1, CRN 1, 3, 5 MAGdrive produced before week 44, 2007



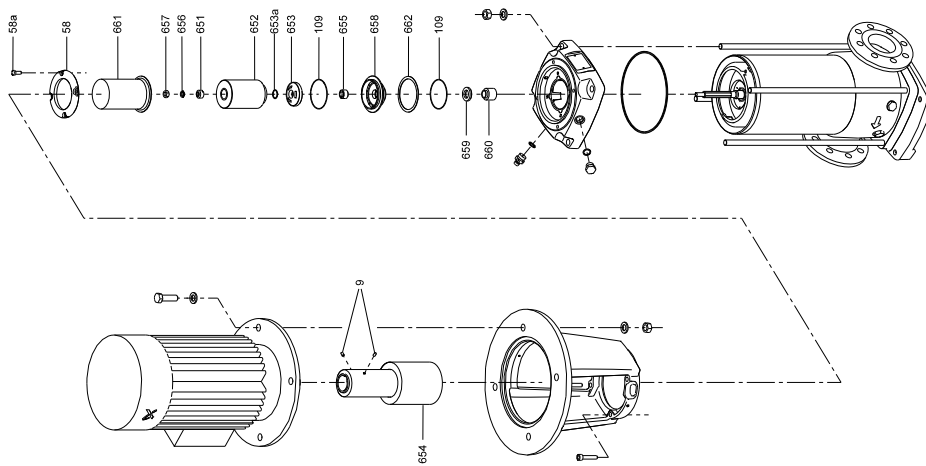
TM02 8552 0504

CRN 1, 1s, 3, 5, 10, 15, 20 MAGdrive produced from week 44, 2007



TM03 9356 3807

CRN 32, 45, 64, 90 MAGdrive produced from week 44, 2007



TM03 9356 3807