

## 19. CR (S)

### CR, CRI, CRN 1 (S)

#### 50/60 Hz, Models C, D

##### Chamber stack complete

Consists of items: 4, 4a, 5a, 47a, 49, 50a, 51, 61, 64, 64a, 64c, 66, 67		
Pump type	CR/CRI 1 (S)	CRN 1 (S)
Number of stages	Kit No	Kit No
2	96479046	96453507
3	96479047	96453508
4	96479048	96453509
5	96479049	96453510
6	96479060	96453511
7	96479061	96453512
8	96479062	96453513
9	96479063	96453514
10	96479060	96453515
11	96453494	96453516
12	96453495	96453517
13	96453496	96453518
15	96453497	96453519
17	96453498	96453520
19	96453499	96453521
21	96453500	96453522
23	96453501	96453523
25	96453502	96453524
27	96453503	96453525
29	-	-
30	96453504	96453526
31	-	-
33	96453505	96453527
36	96453506	96453528

##### CCoupling guard

Description	Kit No
MG 71 - 80	96505130
MG 90 - 132	96505131
NEMA, F 182/213 TC	96505132

##### Content

Pos.	Description	Quantity
7	Coupling guard	2
7a	Screw	4

##### O-ring

Description	Kit No
EPDM	96455090
FKM	96455091
FXM	96463944

##### Content

Pos.	Description	Quantity
37	O-ring 137.5 x 3.3	2
38	O-ring 16.3 x 2.4	1
100	O-ring 16.3 x 2.4	2
109	O-ring 22 x 2.75	1

##### Plug

Description	Kit No
EPDM/FKM	96505133
EPDM/FKM, NEMA	96511103

##### Content

Pos.	Description	Quantity
18	Air vent screw	1
23a	Pipe plug	1
23b	Pipe plug	1
25	Drain plug with bypass valve	1
38	O-ring 16.3 x 2.4	EPDM 1
		FKM 1
100	O-ring 16.3 x 2.4	EPDM 2
		FKM 2

##### Shaft seal

Description	Kit No
HQQE	96455086
HQQV	96455087
HQQK	96533326
HQQF	96533327
HQBE	96455088
HQBV	96455089
HQBK	96491375
HUBE	96455082
HUBV	96455083
HUBK	96533322
HUBF	96533323
HUUE	96455084
HUUV	96455085
HUUV*	91043611
HUUK	96533324
HUUF	96533325

##### Content

Pos.	Description	Quantity
105	Shaft seal	1

\* Silicone-free cartridge

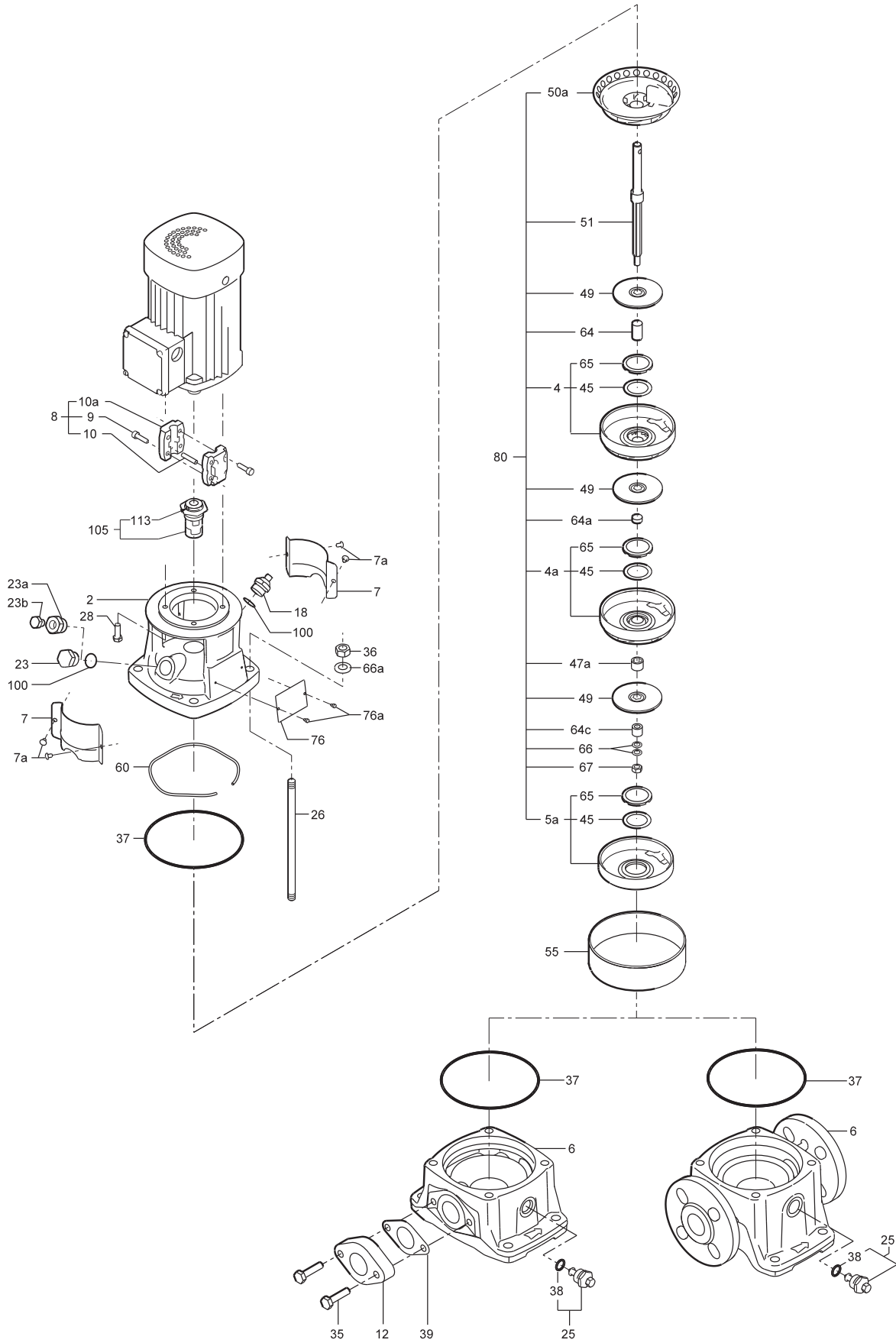
##### Wear parts

Pos.	Bearings	Kit No			
		Silicon carbide	96455092	96455093	96455094
	Bronze	96455102	96455104	96455105	96455106
	Carbon graphite	96460140	96455110	96455111	96455112
	Description/ stages	-9	-19	-27	-36
4a	Chamber with bearing	1	2	3	4
39	Gasket	2	2	2	2
45	Neck ring	8	17	24	32
47a	Bearing ring, rotating	1	2	3	4
64a	Spacing pipe	1	2	3	4
64c	Clamp splined	1	1	1	1
65	Neck ring retainer	8	17	24	32
66	Lock washer	1	1	1	1
67	Lock nut	1	1	1	1

★ EPDM and FKM

CR, CRI, CRN 1 (S)

CR (S)



TM02 0210 4100

**CR, CRI, CRN 2 (S)****50/60 Hz, Models C, D****Chamber stack complete**

Consists of items: 4, 4a, 5a, 47a, 49, 50a, 51, 61, 64, 64a, 64c, 66, 67		Kit No
Number of stages		
2		405208
3		405209
4		405210
5		405211
6		405212
7		405213
8		405221
9		405214
10		405222
11		405215
12		405223
13		405216
15		405217
18		405218
22		405219
26		405220

**Coupling complete**

Motor/pump shaft diameter [mm]	Kit No
14/12	415060
19/12	415061
24/12	415062
28/12	415063
15.8/12 NEMA	415314
28.5/12 NEMA	415315

**Content**

Pos.	Description	Quantity
-	Coupling half	2
9	Screw	4
10	Pin	1

**Impeller**

Pos.	Description/ Kit No	405083
49	Impeller	2
64	Spacing pipe for impeller	2

**Shaft seal**

Pos.	Kit No Description	985167	405146	985769
		AUUE/V	AUUE/V	AUUE
37	Sleeve gasket	2		
37	Vulcanised sleeve gasket (NBR)	-	2	-
37	Vulcanised sleeve gasket (EPDM)	-	-	2
105	Shaft seal	1	1	1

**Shaft seal**

Material	Kit No
BUBE	405096
BUBV	405097
RUUE/V	985727
CVBV	985186
AUUK	985720
AUBK	985721
BQQE	405348
BQQV	405347

**Content**

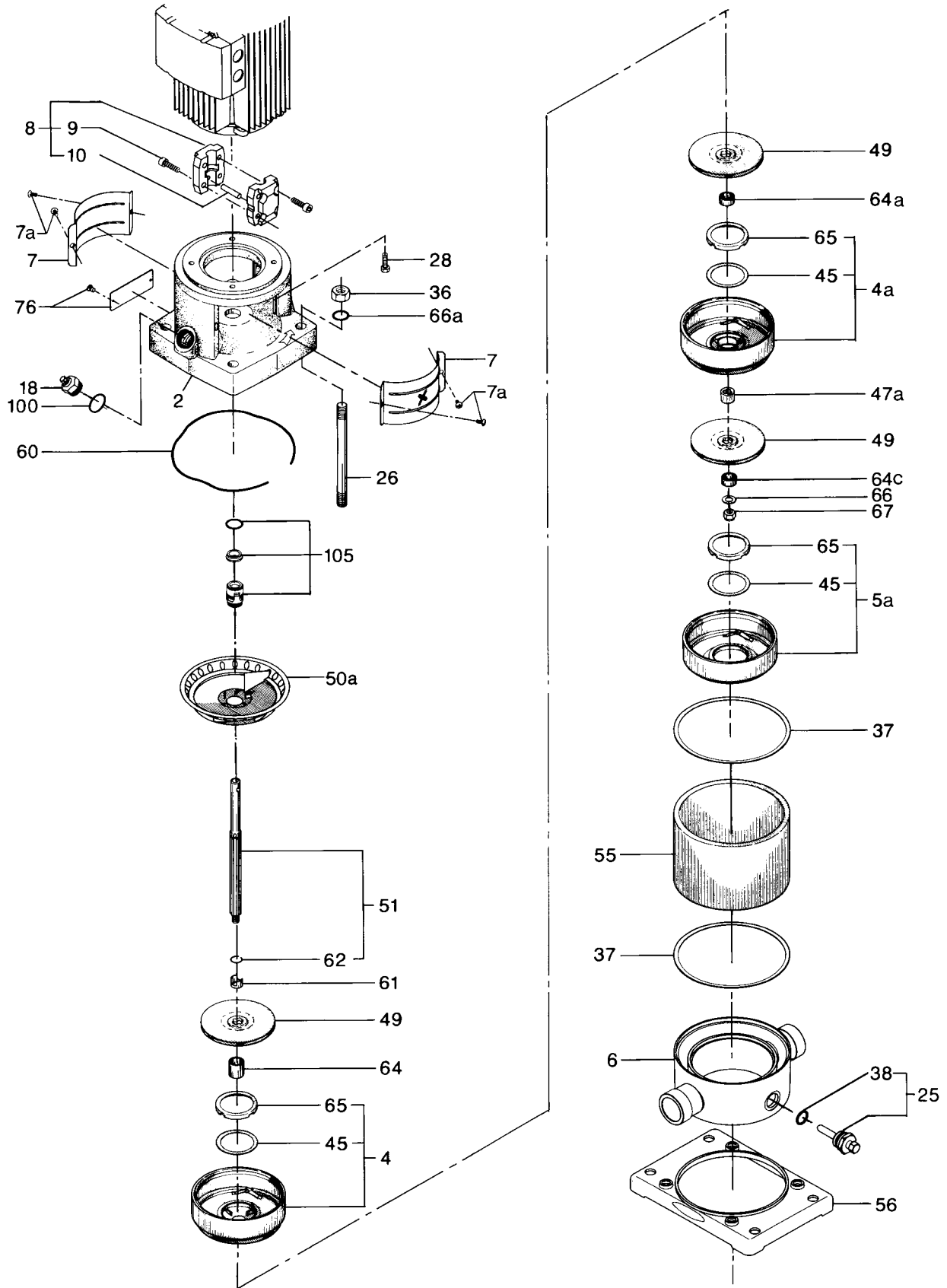
Pos.	Description	Quantity
37	Sleeve gasket	2
105	Shaft seal	1

**Wear parts**

Pos.	Kit No Number of stages Description	405130	405131	405158	405132
		2-9	11-15	13-18	22-26
4a	Bearing chamber	1	2	2	3
37	Sleeve gasket	2	2	2	2
38	Drain plug gasket ★	1	1	1	1
45	Neck ring	8	13	16	23
47a	Bearing ring	1	2	2	3
61	Spacer for shaft seal	1	1	1	1
65	Neck ring retainer	8	13	16	23
64c	Spacer	1	1	1	1
66	Spring washer	1	1	1	1
67	Lock nut	1	1	1	1
100	O-ring ★	1	1	1	1

★ EPDM and FKM

CRN 2 (S)



CR, CRI, CRN 2 (S) CR (S)

TM00 3503 2498

**CRN 4 (S)****50/60 Hz, Models C, D****Chamber stack complete**

Consists of items: 4, 4a, 5a, 47a, 49, 50a, 51, 61, 64, 64a, 64c, 66, 67		Kit No
Number of stages		
1		415268
2		415269
3		415270
4		415271
5		415272
6		415273
7		415274
8		415275
10		415276
12		415277
14		415278
16		415279
19		415280
22		415281

**Coupling complete**

Motor/pump shaft diameter [mm]	Kit No
14/12	415060
19/12	415061
24/12	415062
28/12	415063
38/12	415065
15.8/12 NEMA	415314
28.5/12 NEMA	415315

**Content**

Pos.	Description	Quantity
-	Coupling half	2
9	Screw	4
10	Pin	1

**Impeller**

Pos.	Description/ Kit No	415232
49	Impeller	2
64	Spacing pipe for impeller	2

**Shaft seal**

Pos.	Kit No Description	985167	405146	985769
		AUUE/V	AUUE/V	AUUE
37	Sleeve gasket	2		
37	Vulcanised sleeve gasket (NBR)	-	2	-
37	Vulcanised sleeve gasket (EPDM)	-	-	2
105	Shaft seal	1	1	1

**Shaft seal**

Material	Kit No
BUBE	405096
BUBV	405097
RUUE/V	985727
CVBV	985186
AUUK	985720
AUBK	985721
BQQE	405348
BQQV	405347

**Content**

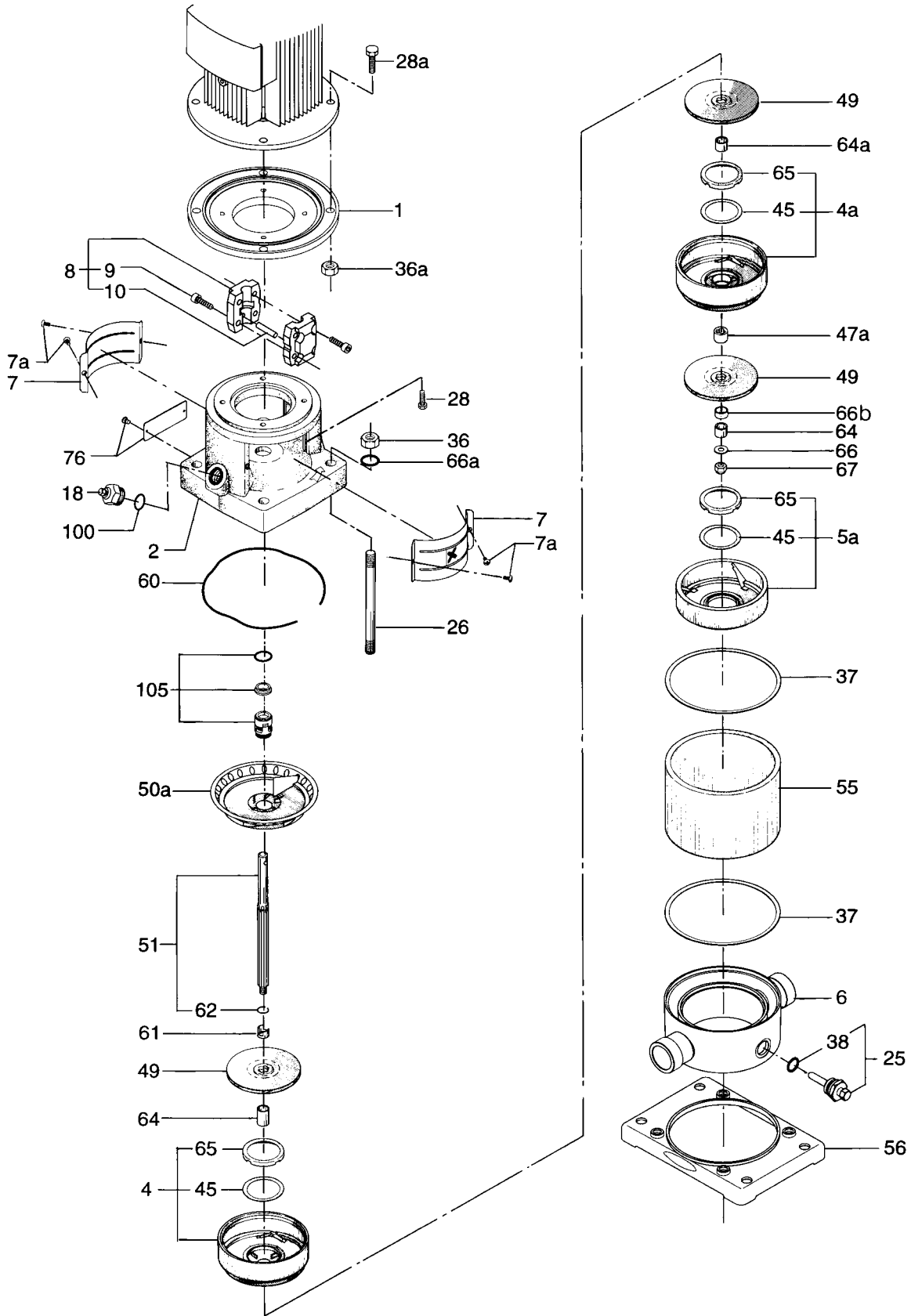
Pos.	Description	Quantity
37	Sleeve gasket	2
105	Shaft seal	1

**Wear parts**

Pos.	Kit No Number of stages Description	415289	415290	415331	415291
		1-6	7-12	14-16	19-22
4a	Bearing chamber	1	2	3	4
37	Sleeve gasket	2	2	-	-
37	Vulcanised sleeve gasket	-	-	2	2
38	Drain plug gasket ★	1	1	1	1
45	Neck ring	5	10	13	18
47a	Bearing ring	1	2	3	4
61	Spacer for shaft seal	1	1	1	1
64c	Spacer	1	1	1	1
65	Neck ring retainer	5	10	13	18
66	Spring washer	1	1	1	1
67	Lock nut	1	1	1	1
100	O-ring★	1	1	1	1

★ EPDM and FKM

CRN 4 (S)



CRN 4 (S) CR (S)

TM00 3502 2498

**CRN 8 (S)****50/60 Hz, Models A, B****Coupling complete**

Motor/pump shaft diameter [mm]	Kit No
14/16	339114
19/16	339119
24/16	339124
28/16	339128
38/16	339138
42/16	339142
15.9/16 NEMA	425260
28.6/16 NEMA	425261
34.9/16 NEMA	425262
41.3/16 NEMA	425263

**Content**

Pos.	Description	Quantity
-	Coupling half	2
9	Screw	4
10	Pin	1

**Chamber stack complete**

Consists of items: 3, 3a, 4, 4a, 44, 47a, 49, 51, 61, 64, 64a, 64c, 64d, 66, 67		Kit No
Number of stages		
1		425219
2		425220
3		425221
4		425222
5		425223
6		425224
8		425225
10		425226
12		425227
14		96588257
16		425229
18		425230
20		425231

**Flange**

Pos.	Kit No	NEMA		NEMA	
		339912	339913	339914	339915
	Description	EPDM	FKM	EPDM	FKM
201	Clamping ring	1	1	1	1
202	Gasket ring	1	1	1	1
203	Lock ring	1	1	1	1
204	O-ring	1	1	1	1

**Shaft seal**

Material	Kit No
AUUE/V	985204
BUBE	425062
BUBV	425063
RUUE/V	985838

**Content**

Pos.	Description	Quantity
37	Sleeve gasket	2
78	O-ring	1
98	O-ring	1
105	Shaft seal	1

**Shaft seal**

Material	Kit No
AUUE/V	425085
AUUE	985874

**Content**

Pos.	Description	Quantity
37	Vulcanised sleeve gasket	2
105	Shaft seal	1

**Shaft seal**

Material	Kit No
RUUK	985829
AUUK	985828
AUAK	985834
BQQE	425763
BQQV	425762

**Content**

Pos.	Description	Quantity
37	Sleeve gasket	2
105	Shaft seal	1

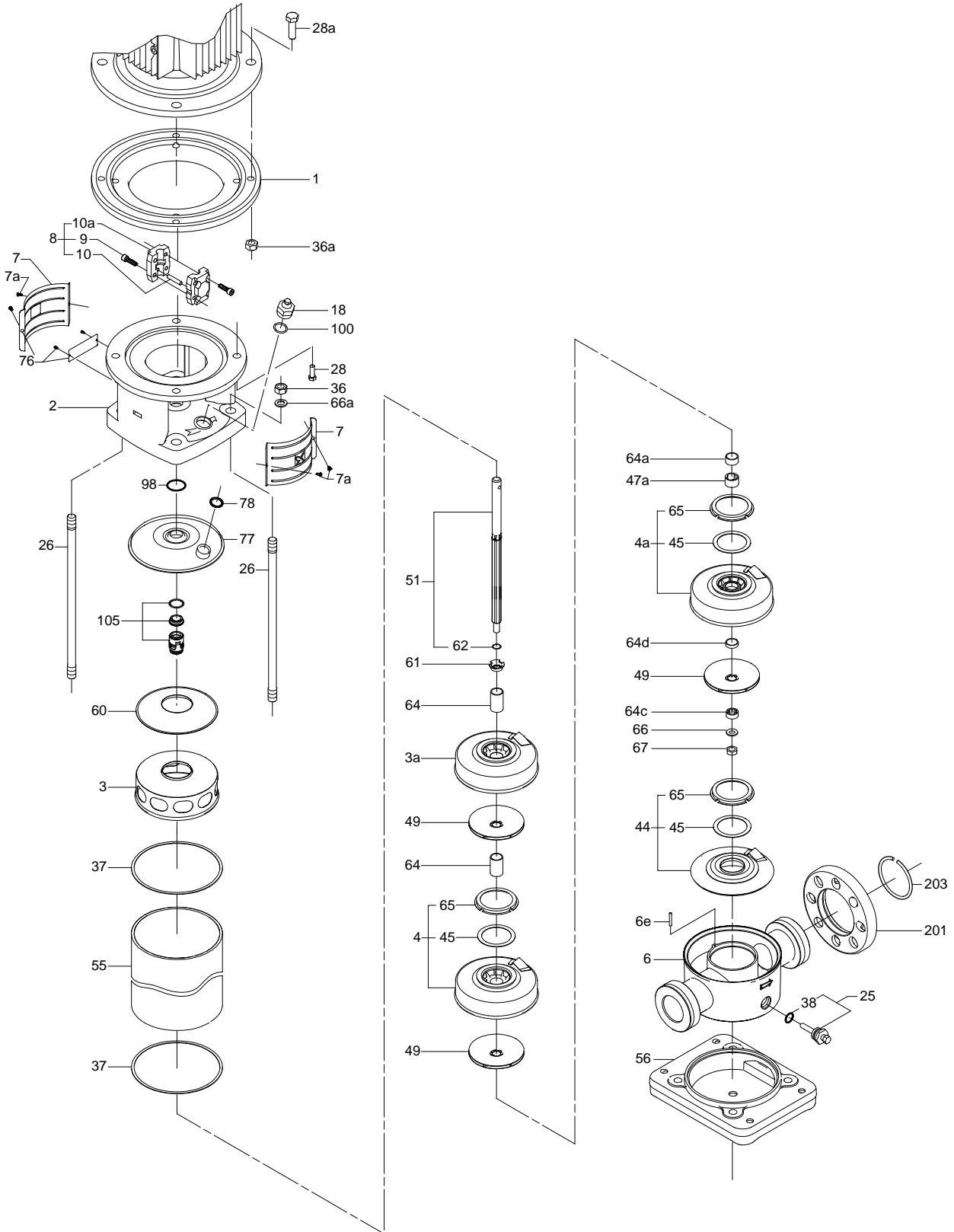
**Wear parts**

Pos.	Number of stages	Kit No	1-6	8-12	10-14	16-20
			425069	425070	425266	425071
Description						
4a	Bearing chamber		1	2	2	3
6e	O-ring in base	★	1	1	1	1
37	Sleeve gasket		2	2	-	-
37	Vulcanised sleeve gasket		-	-	2	2
38	Drain plug gasket	★	1	1	1	1
45	Neck ring		5	10	12	17
47a	Bearing ring		1	2	2	3
61	Spacer for shaft seal		1	1	1	1
62	Stop ring		1	1	1	1
64c	Spacer		1	1	1	1
65	Neck ring retainer		5	10	2	17
66	Spring washer		1	1	1	1
67	Lock nut		1	1	1	1
78	O-ring		1	1	1	1
98	O-ring		1	1	1	1
100	O-ring for air vent screw	★	1	1	1	1

★ EPDM and FKM

CRN 8 (S)

CRN 8 (S) CR (S)



TM00 2439 3296



**CRN 16 (S)****50/60 Hz, Models A, B****Coupling complete**

Motor/pump shaft diameter [mm]	Kit No
24/16	339124
28/16	339128
38/16	339138
42/16	339142
28.6/16 NEMA	425261
34.9/16 NEMA	425262
41.3/16 NEMA	425263

**Content**

Pos.	Description	Quantity
-	Coupling half	2
9	Screw	4
10	Pin	1

**Chamber stack complete**

Consists of items: 3, 3a, 4, 4a, 44, 47a, 49, 51, 61, 64, 64a, 64c, 64d, 66, 67, 69		Kit No
Number of stages		
1		335094
2		335220
3		335221
4		335222
5		335223
6		335224
7		335225
8		335226
10		335227
12		335228
14		335229
16		335230

**Flange**

Description	NEMA		NEMA	
	EPDM	FKM	EPDM	FKM
Kit No	339912	339913	339914	339915
Clamping ring	1	1	1	1
Gasket ring	1	1	1	1
Lock ring	1	1	1	1
O-ring	1	1	1	1

**Shaft seal**

Material	Kit No
AUUE/V	985204
BUBE	425062
BUBV	425063
RUUE/V	985838
BQQE	425763
BQQV	425762

**Content**

Pos.	Description	Quantity
37	Sleeve gasket	2
78	O-ring	1
98	O-ring	1
105	Shaft seal	1

**Shaft seal**

Material	Kit No
AUUE/V	425085

**Content**

Pos.	Description	Quantity
37	Vulcanised sleeve gasket	2
105	Shaft seal	1

**Shaft seal**

Material	Kit No
RUUK	985829
AUUK	985828
AUAK	985834

**Content**

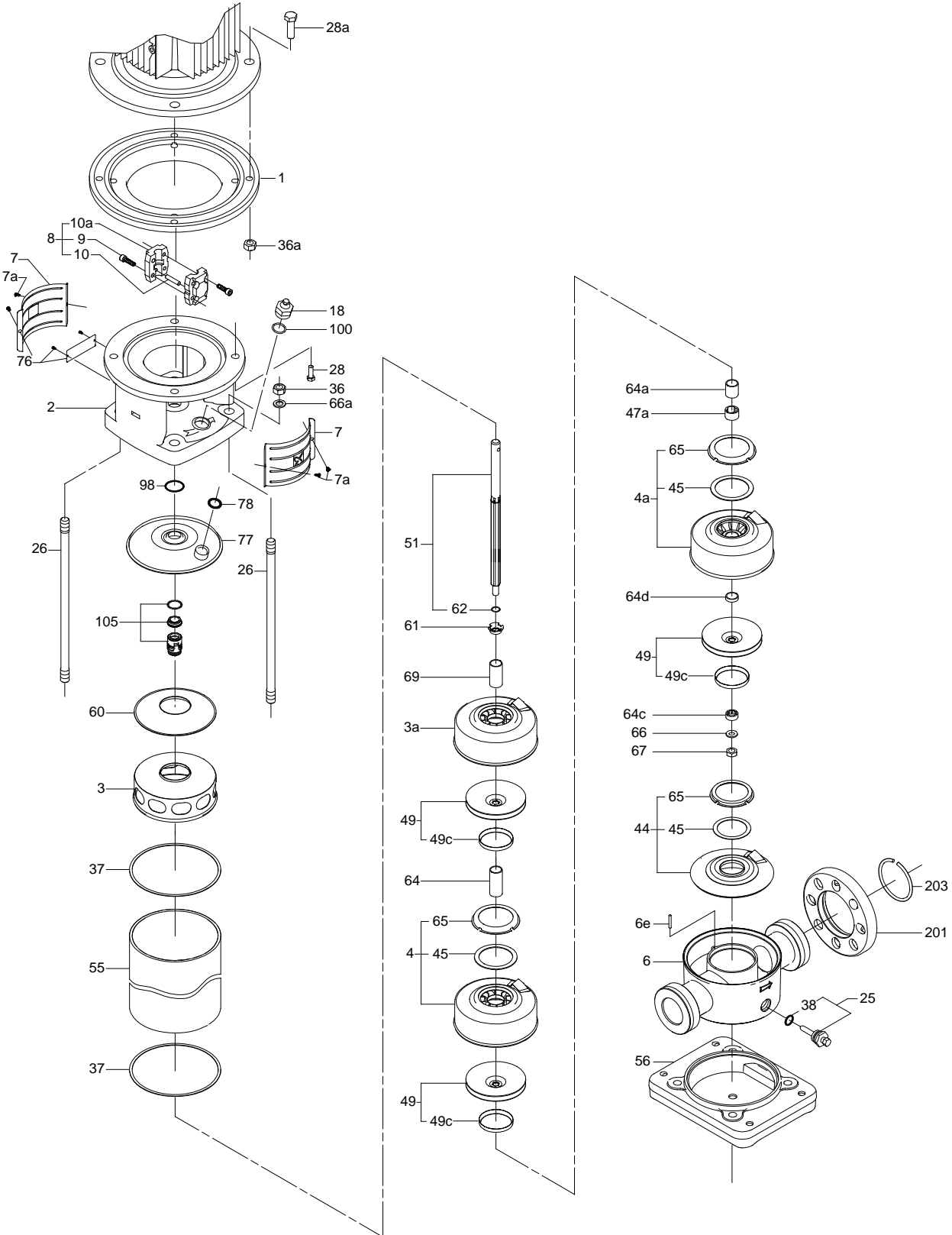
Pos.	Description	Quantity
37	Sleeve gasket	2
105	Shaft seal	1

**Wear parts**

Pos.	Number of stages Description/Kit No	2-6	7-10	7-10	12-16
		335081	335082	335126	335083
4a	Bearing chamber	1	2	2	3
6e	O-ring in base	1	1	1	1
37	Sleeve gasket	2	2	-	-
37	Vulcanised sleeve gasket	-	-	2	2
38	Drain plug gasket ★	1	1	1	1
45	Neck ring	5	8	8	13
47a	Bearing ring	1	2	2	3
49c	Wear ring	6	10	10	16
61	Spacer for shaft seal	1	1	1	1
62	Stop ring	1	1	1	1
64c	Spacer	1	1	1	1
65	Neck ring retainer	5	8	8	13
66	Spring washer	1	1	1	1
67	Lock nut	1	1	1	1
78	O-ring	1	1	1	1
98	O-ring	1	1	1	1
100	O-ring for air vent screw ★	1	1	1	1

★ EPDM and FKM

CRN 16 (S)



TM00 2431 3596

CRN 16 (S) CR (S)