

# MIXER BRACKET SYSTEM

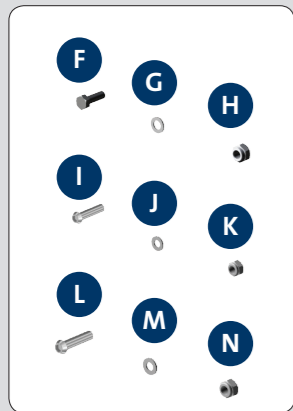
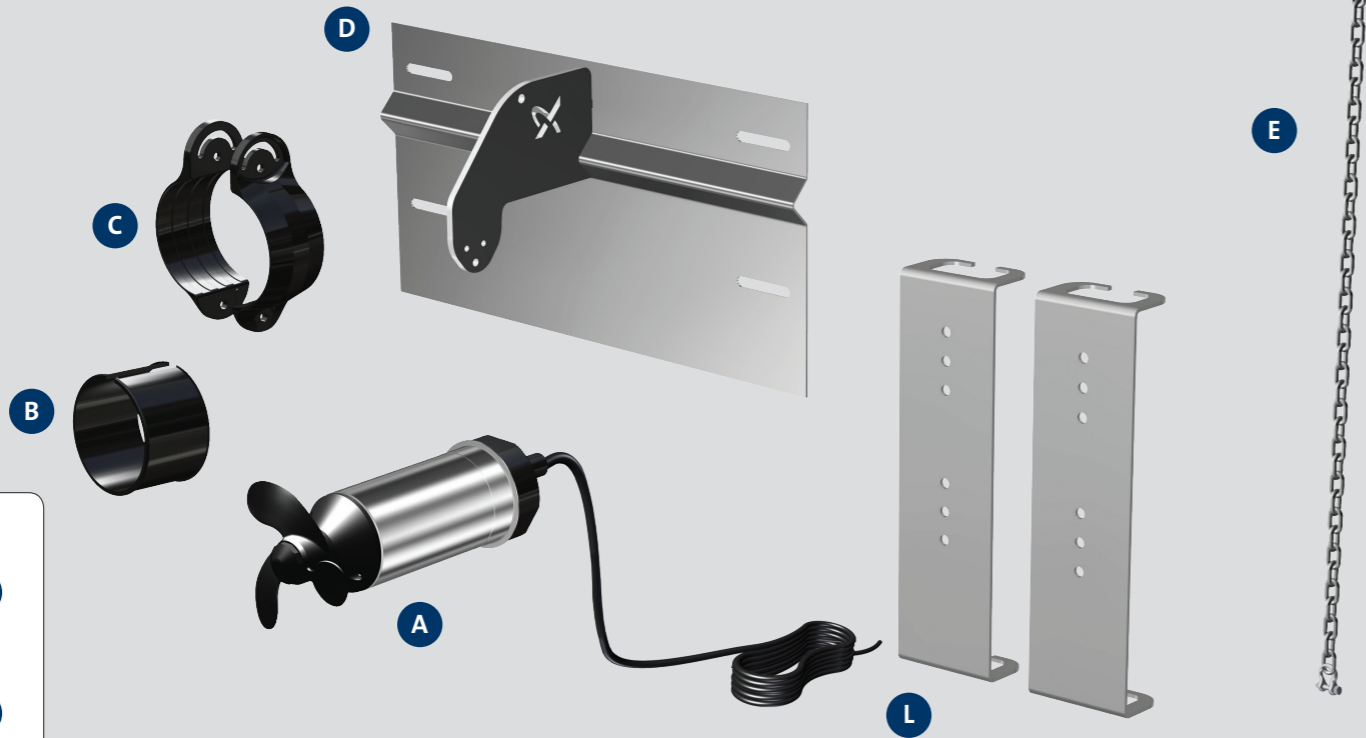
DN32/DN40/DN50 GUIDERAILS

Further product  
documentation



[net.grundfos.com/qr/i/96526302](https://net.grundfos.com/qr/i/96526302)

DN32

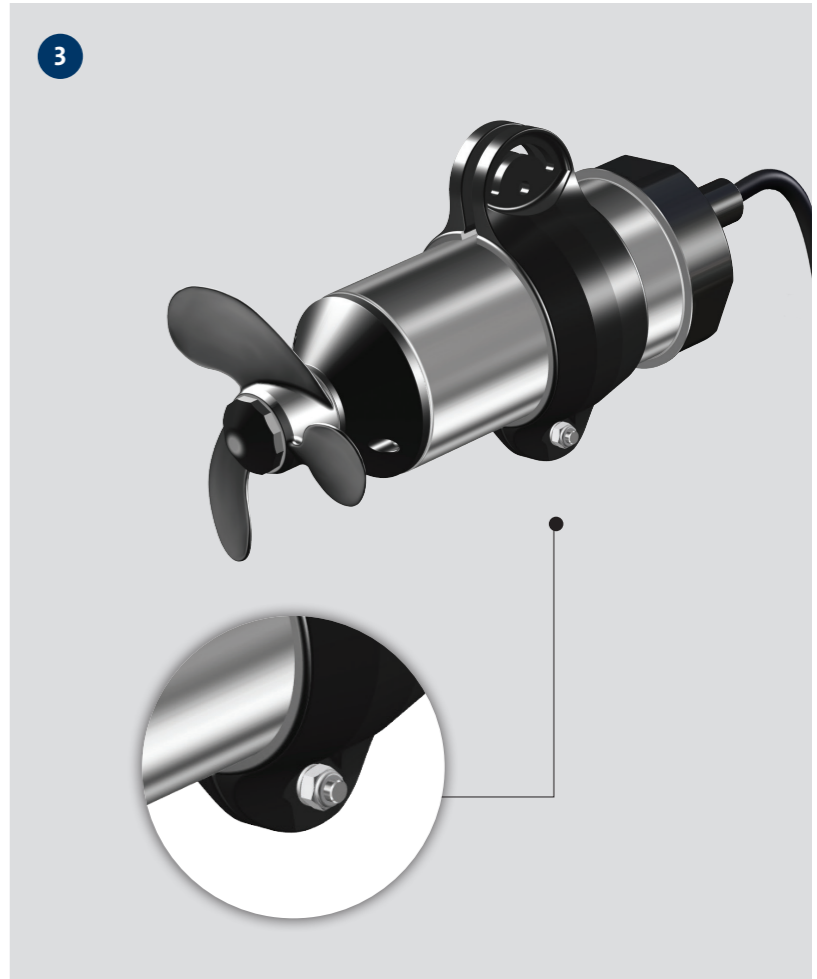
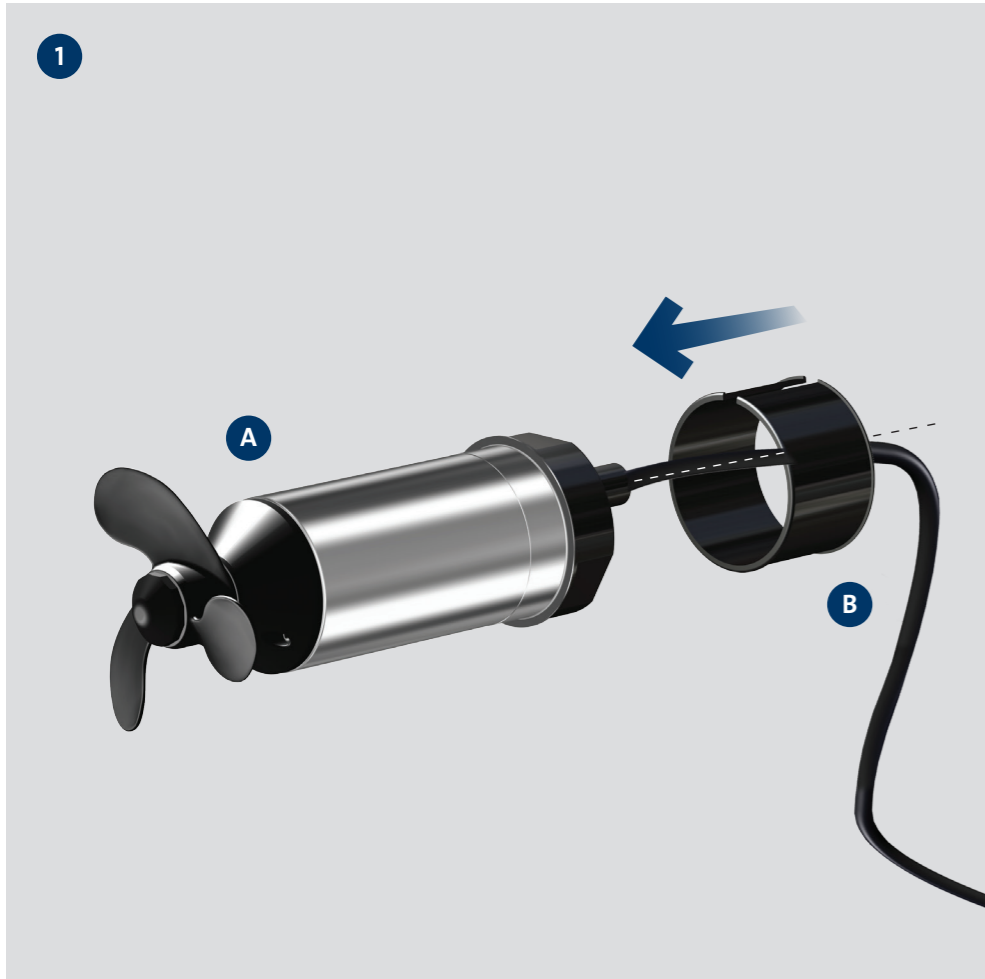


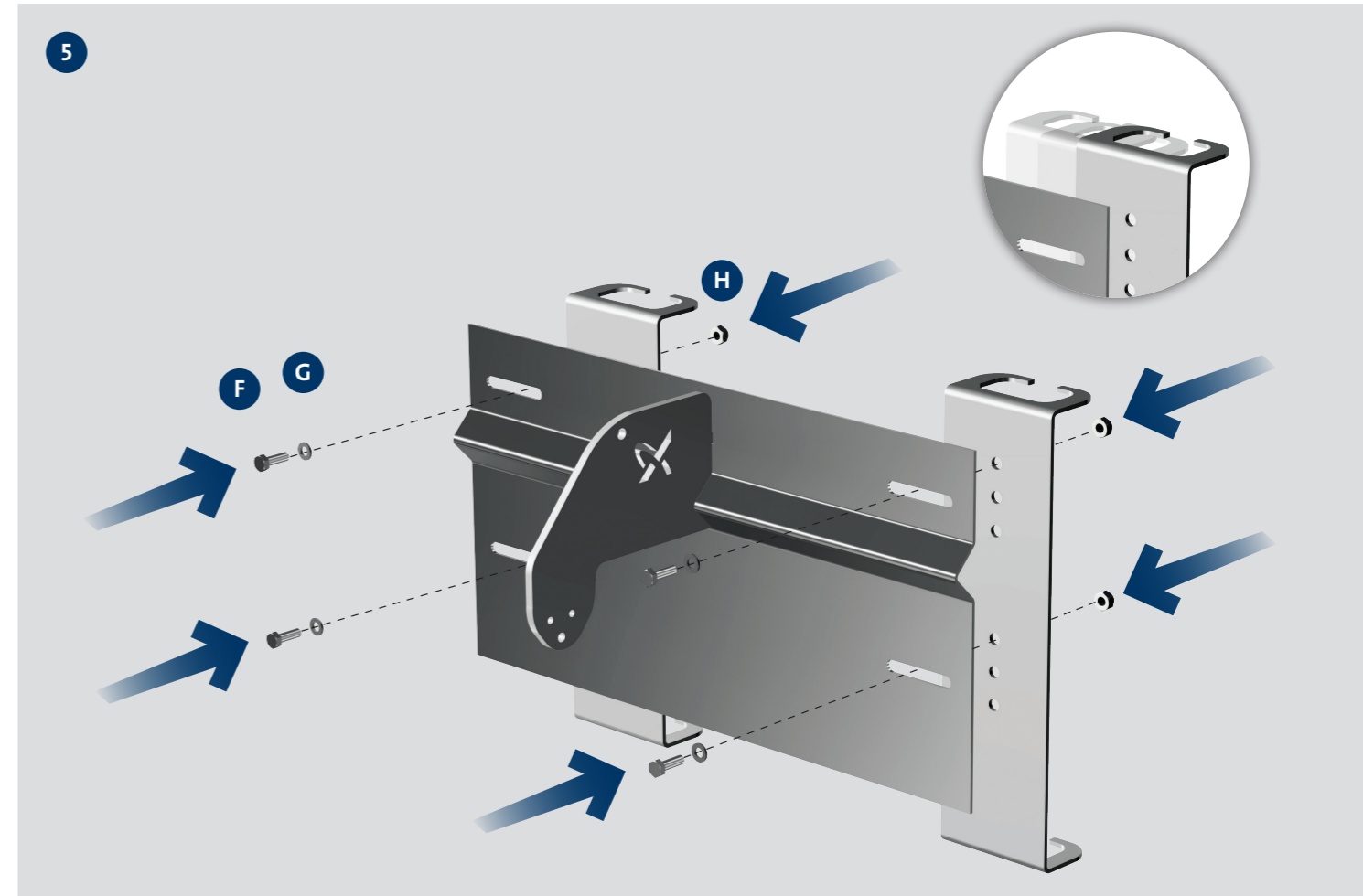
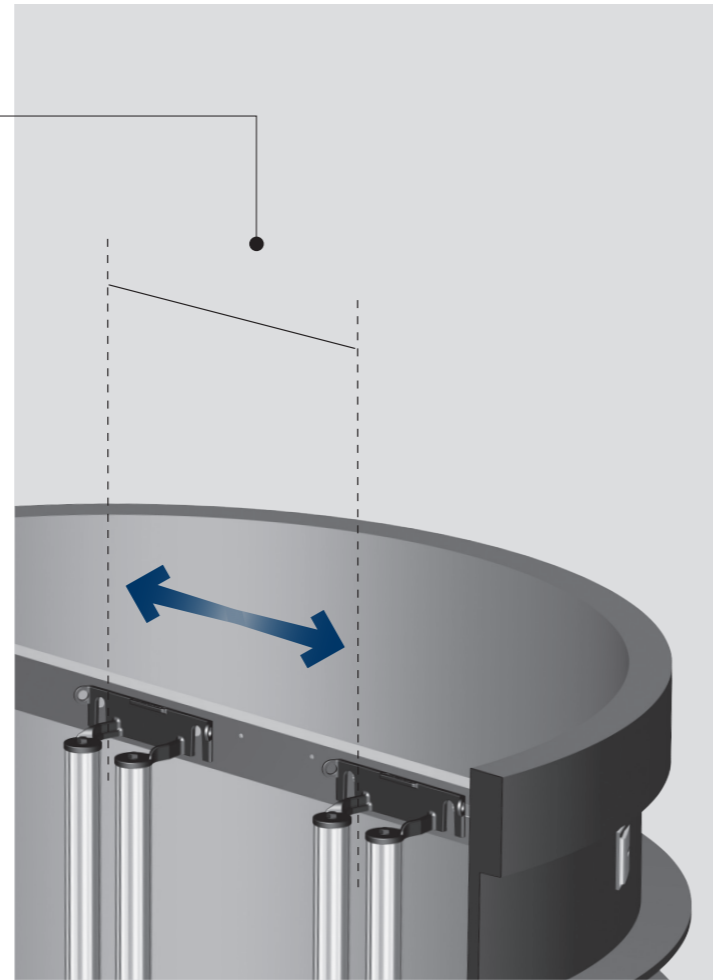
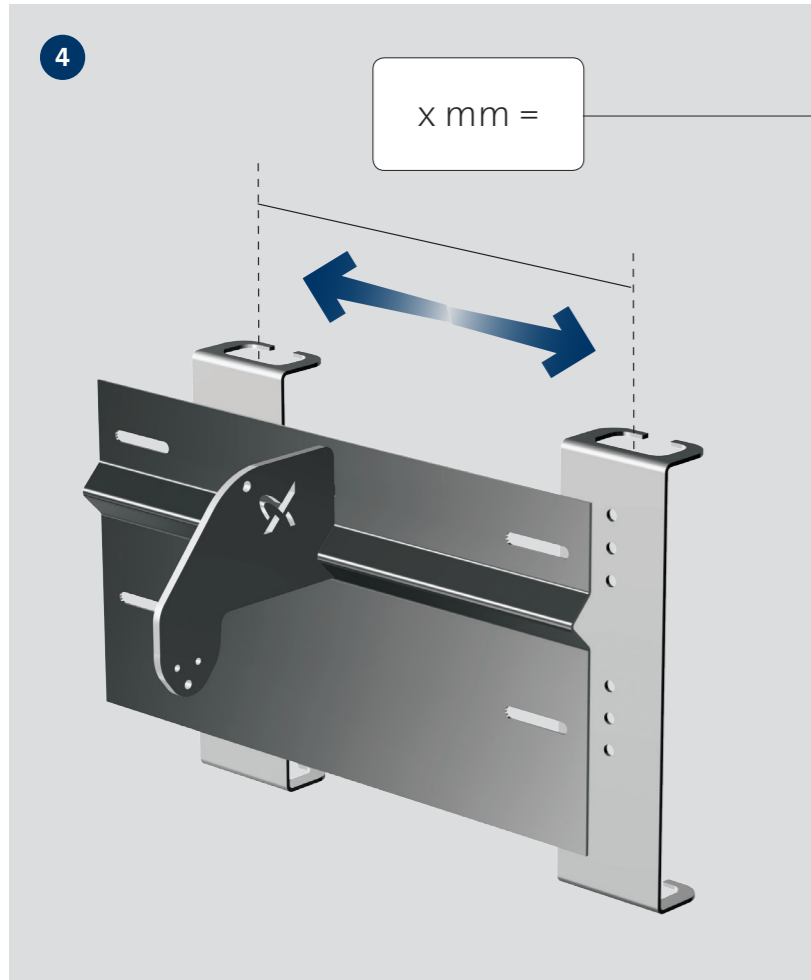
DN40

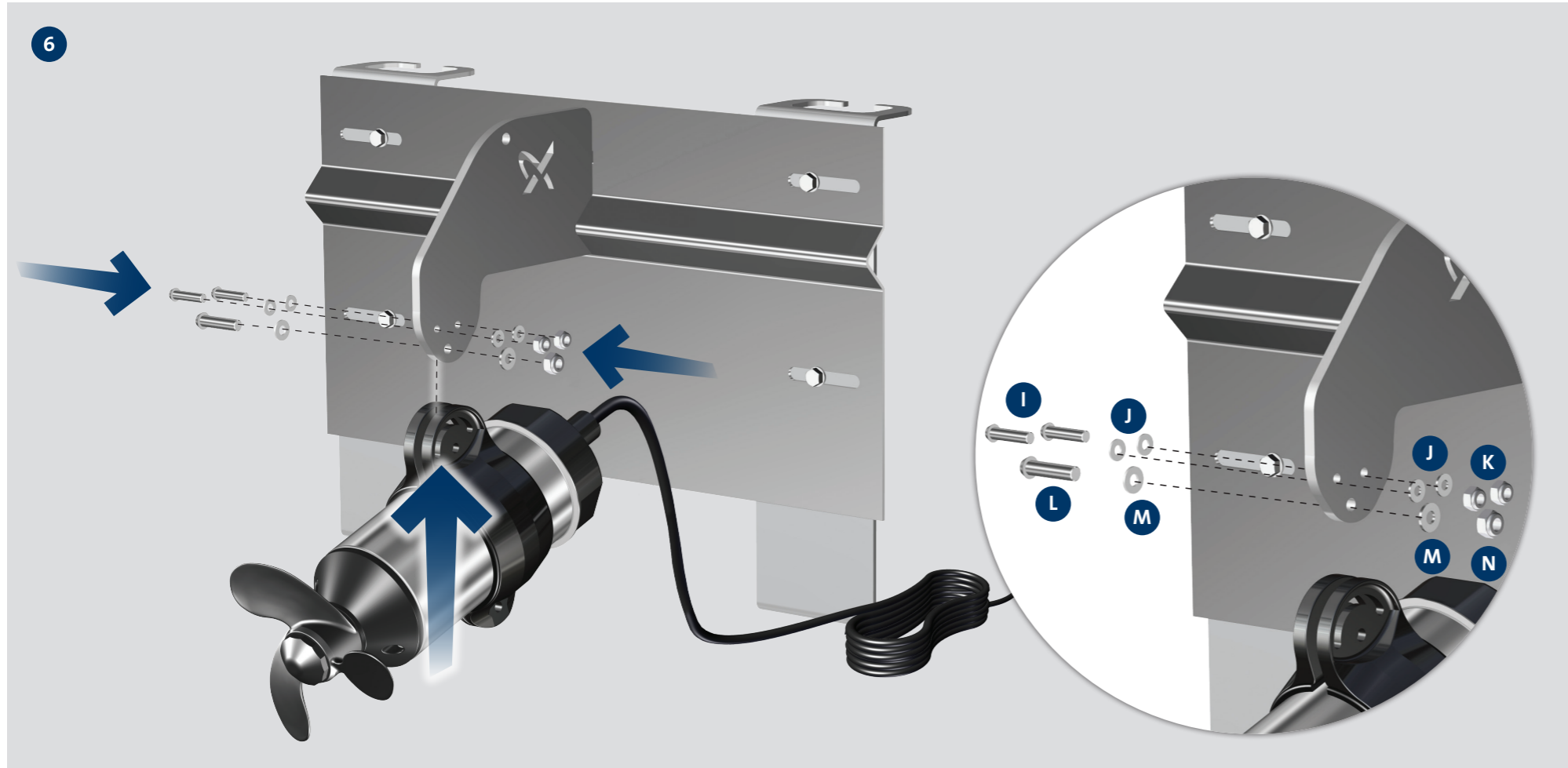


DN50

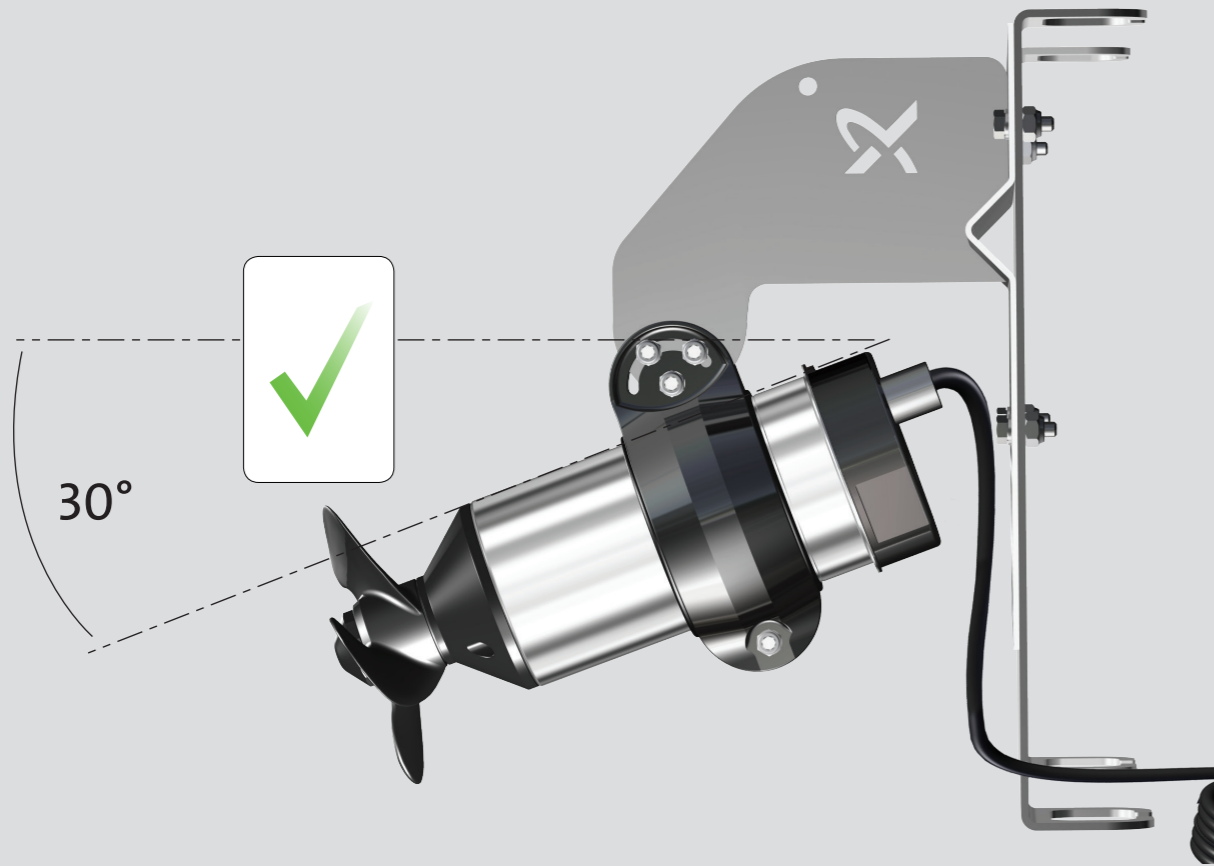




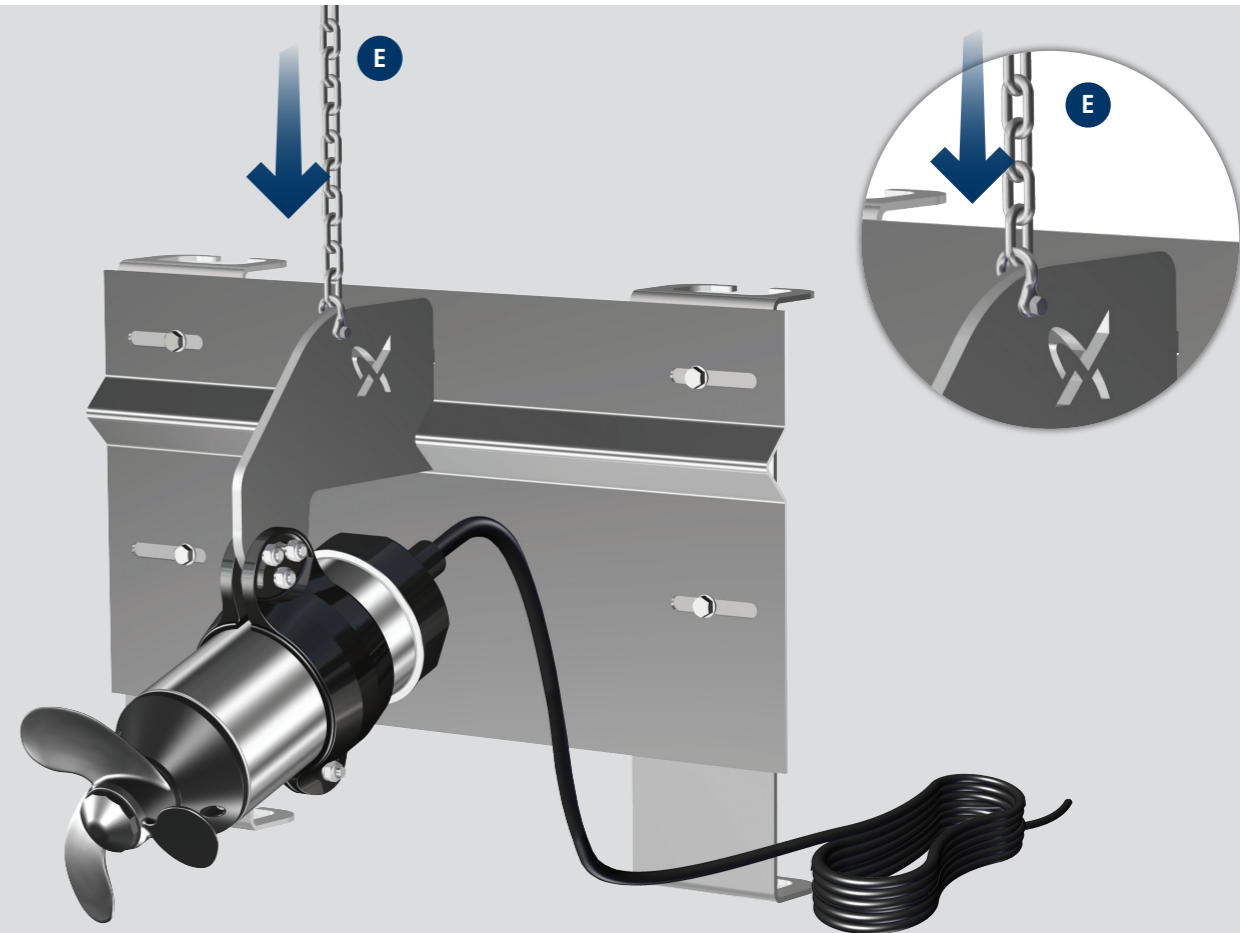




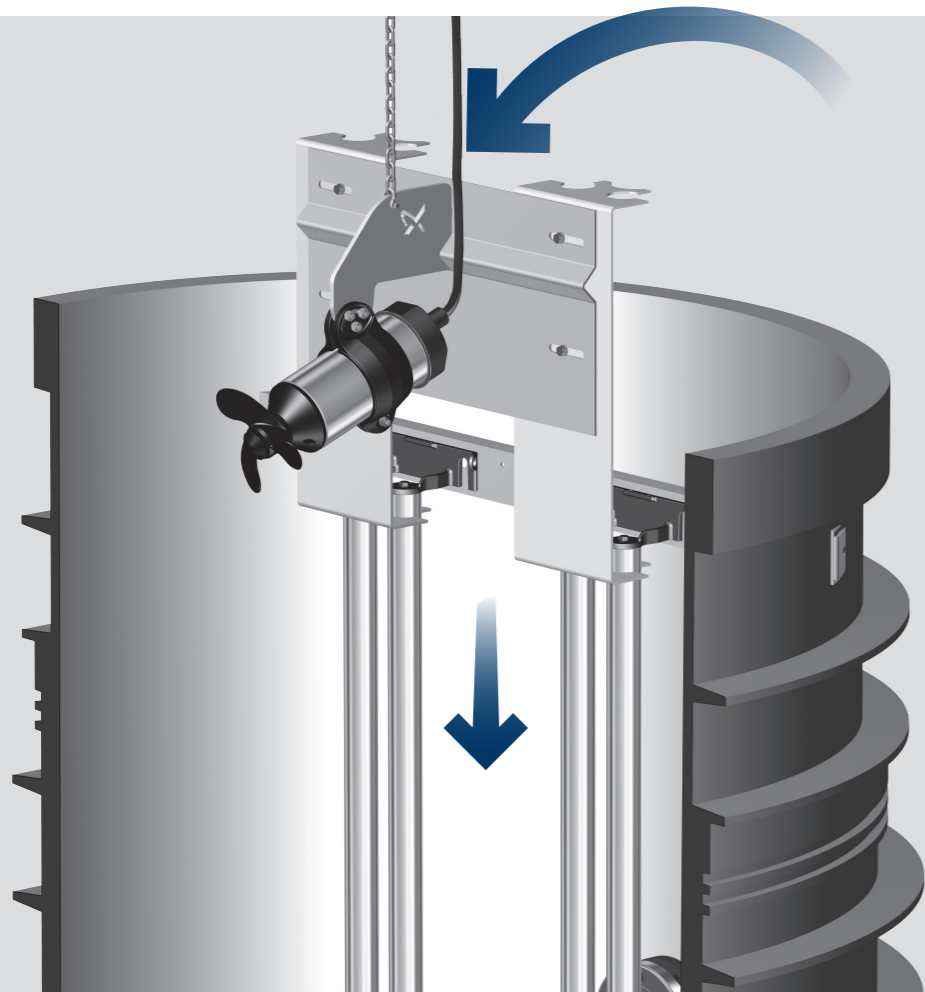
8



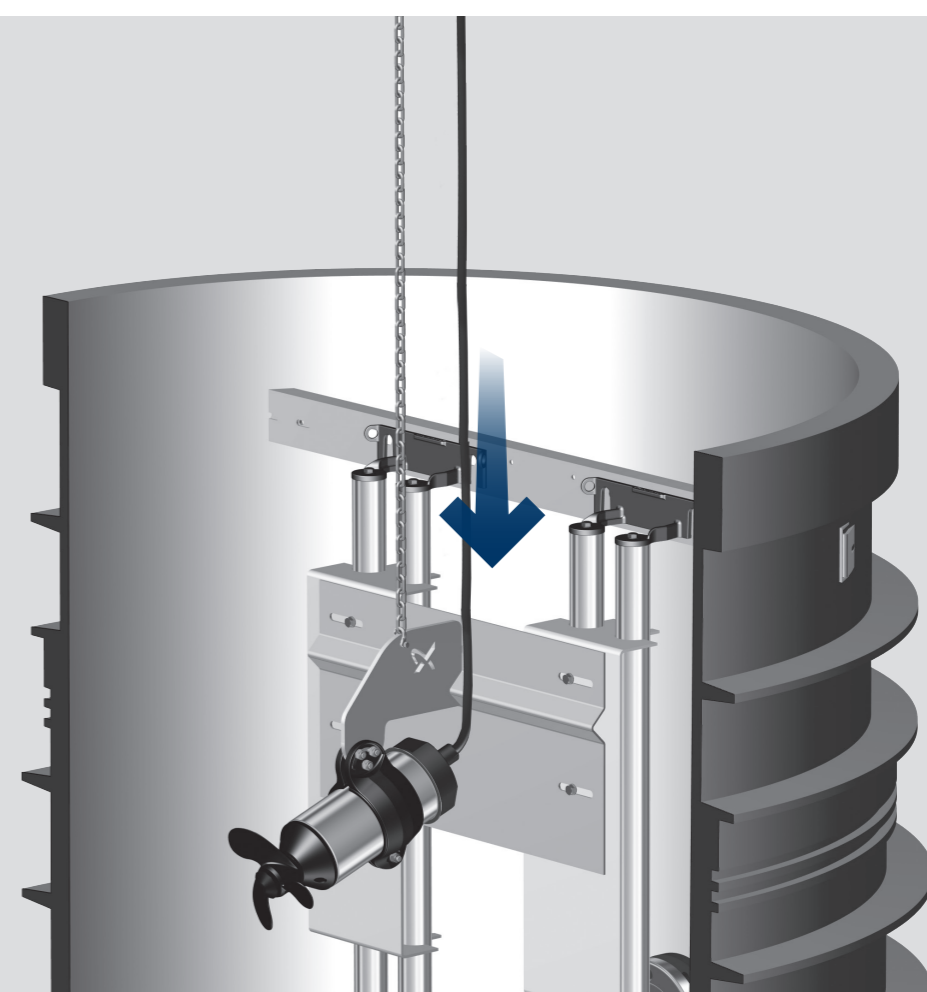
9



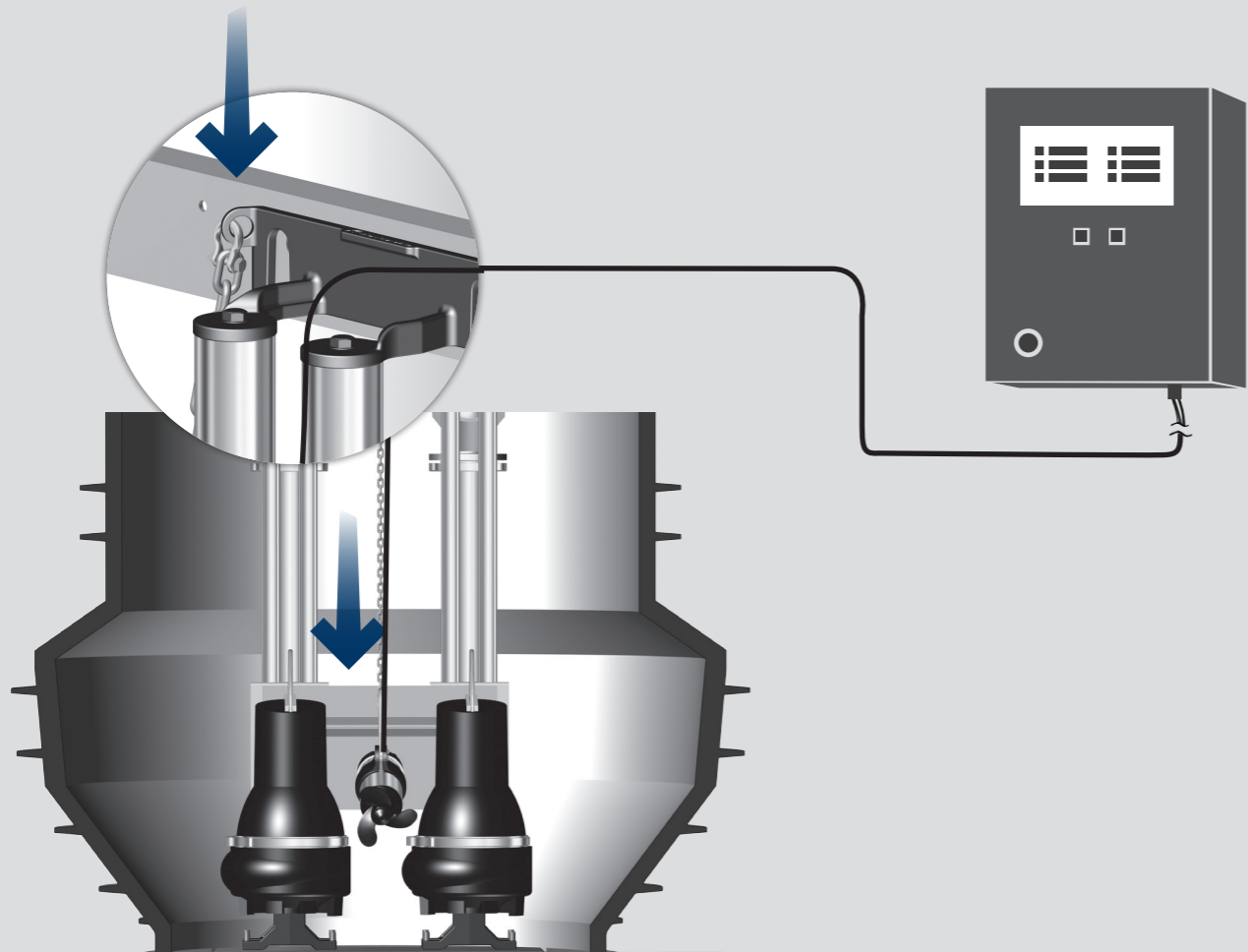
10



11



12



i





99044298 0516

ECM: 1181414

be think innovate

**GRUNDFOS** 

The name Grundfos, the Grundfos logo, and the phrase be think innovate, are registered trademarks owned by Grundfos Holding A/S or Grundfos A/S, Denmark. All rights reserved worldwide.